



NEW

- Stage V crane engine
- ZF TraXon gearbox

SK1265-AT6

mighty tiny

60 meter radius / 10,000 kg max.

 **SPIERINGS**
MOBILE CRANES

Your lifting radius to the max



Upper engine

With the newest emission regulations Spierings still chooses for two engines. The Stage 5 four Cylinder diesel engine (constant rpm) is mounted in the super structure. The engine and the hydraulic pumps are mounted in a high quality sound reducing cover.



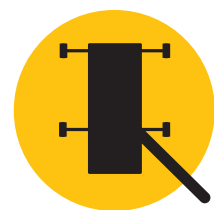
Truck cabin

The Spierings Crane is equipped with the latest design of interior. The new cab design is ergonomic and gives the driver optimum comfort. The driver's seat is equipped with air suspension. Air-conditioning, navigation, radio, Bluetooth car kit and heated and adjustable mirrors are standard.



One job, one man

One operator can easily erect and operate the crane. No additional ballast or jib sections are required. A Spierings crane can at all times be operated by one operator. The operator has a perfect view out of the crane cab and with the optional mounted trolley camera even in the most difficult situations.



Truck

Specially designed truck chassis for optimum torsion rigidity. As a result of the special construction, the maximum lifting capacity can be reached with minimum ballast, thus making extra ballast unnecessary.



Hydraulic motions

All crane motions are hydraulic proportional controlled. This makes the crane easy to operate and gives maximum precision and efficiency.



Steel pads

The crane is optional equipped with 4 steel pads (2x0,9 meter), mounted at the rear of the carrier. An auxiliary crane arm is fit for placing the steel pads.



Setup in minutes

The fully automatic program to erect the Spierings Crane takes approx 11 minutes after the crane is set on its outrigger.

Four LED floodlights are mounted in the jib and tower.



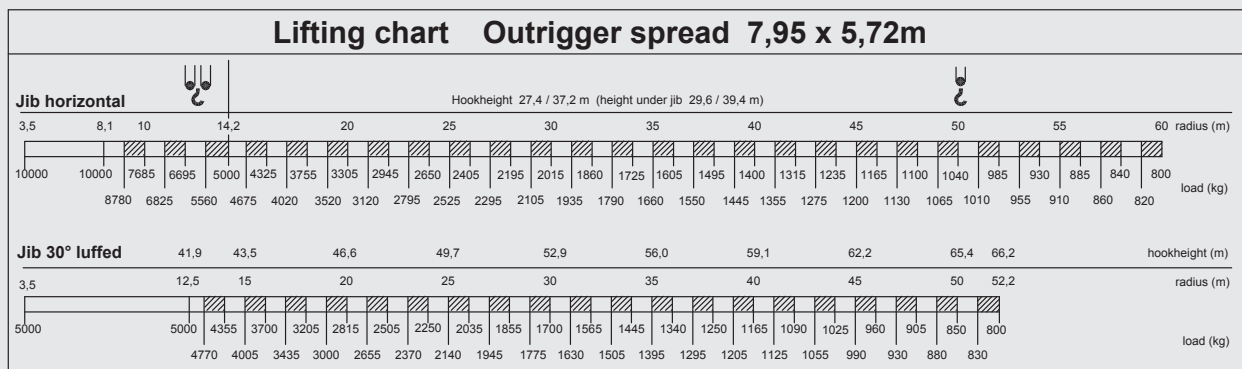
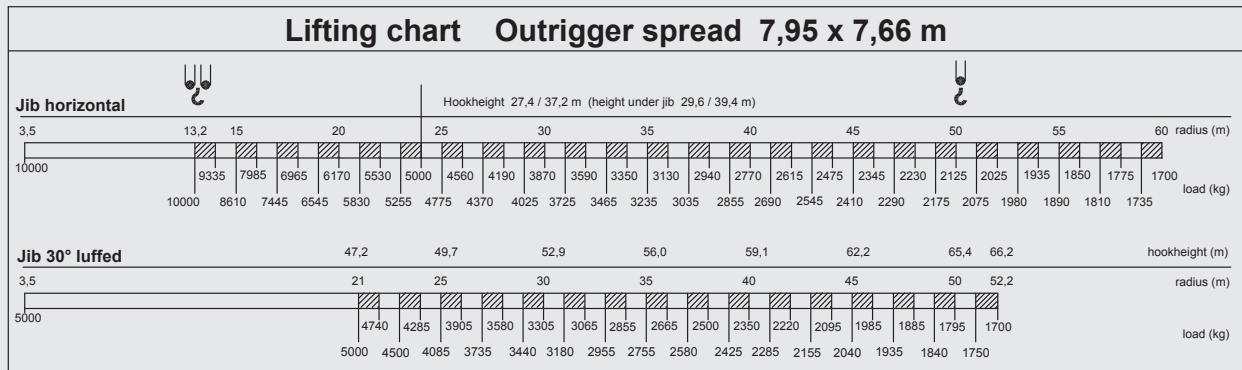
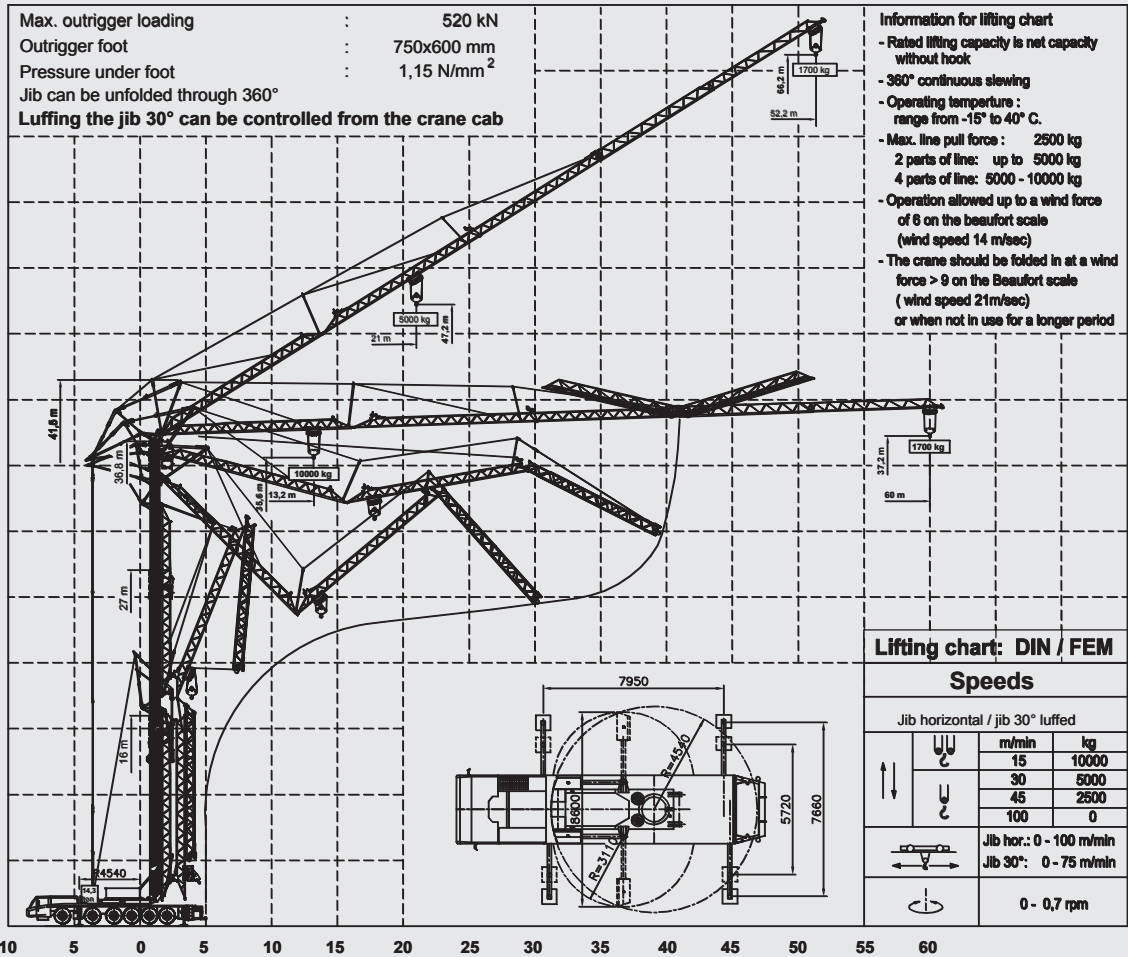
Crane Cabin equipped with trolley camera display and touch screen.



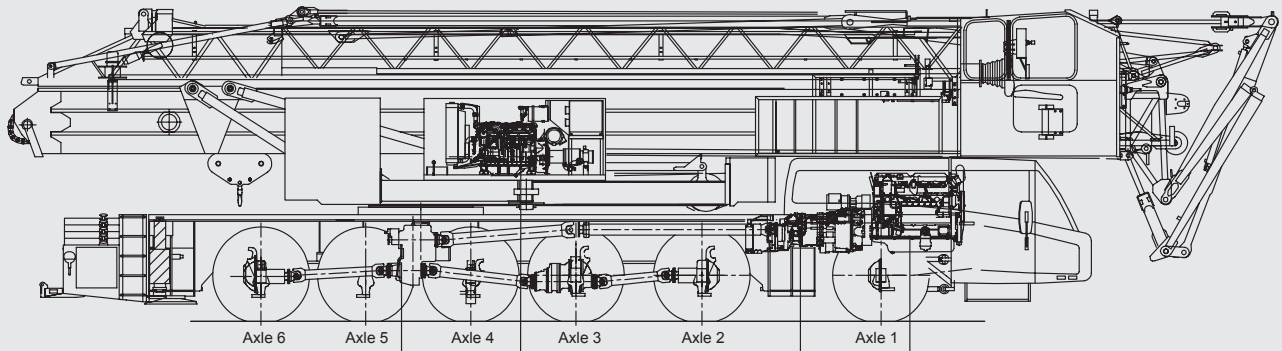
Auxiliary crane for placing the steel pads



The new truck cab interior design is fully equipped and gives the driver optimum comfort.



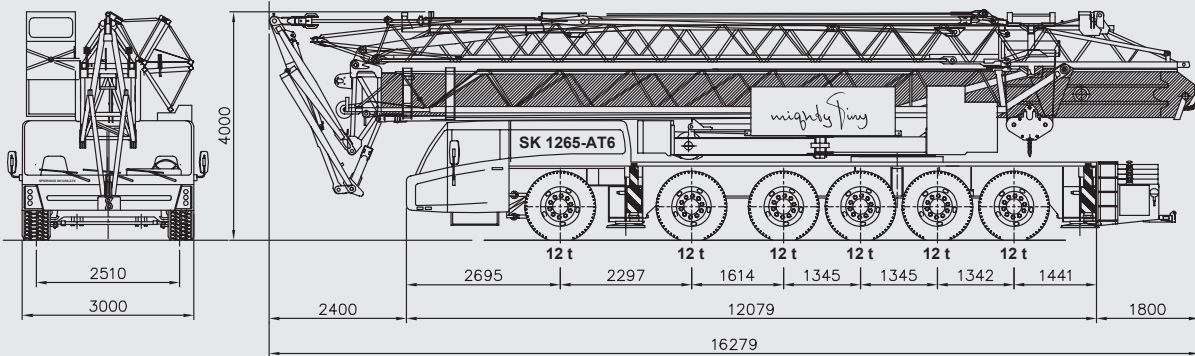
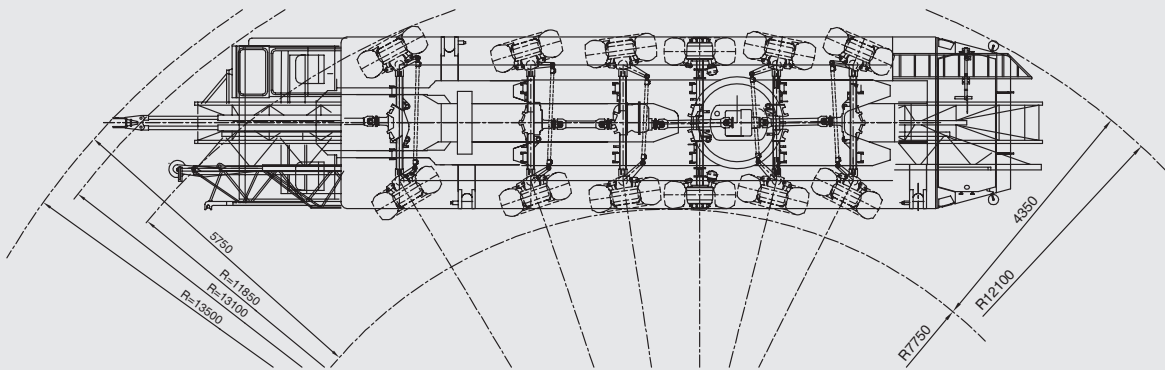
Changes subject to modifications



Transfer box: ZF VG2001/396 Road gear $i=0,89$ Off road gear $i=1,54$	Crane diesel engine Stage V	Gearbox: ZF Traxon 16 Automatic Dry plate clutch + intarder	Carrier diesel engine: Euro VI DAF: MX13-390 (12,9 ltr) Power: 390 kW (1650 U/min) Torque: 2600 Nm (1000-1400 U/min)
--	--------------------------------	---	--

- Axle 1 : Steer axle
- Axle 2 : Steer drive axle (end reduction $i=6,35$)
- Axle 3 : Steer drive axle (end reduction $i=6,35$)
- Axle 4 : Axle, non steered and non powered
- Axle 5 : Steer axle
- Axle 6 : Steer drive axle (end reduction $i=6,35$)

Tyres	: 445/75 R22,5
Suspension: hydro-pneumatic on all axles; stroke cyl.	: 247 mm
Max. speed carrier	: 82 km/h
Min. speed carrier (engine at 1000 rpm)	: 1,4 km/h
Overall weight	: 72.000 kg



SPIERINGS
MOBILE CRANES

Lift to the max.

Spierings Mobile Cranes B.V.
Merwedestraat 15
5347 KZ Oss - The Netherlands
PO Box 24, NL-5340 AA Oss

T +31(0) 412 69 77 77
I www.spieringscranes.com
E sales@spieringscranes.com